

BA SERIES BALL VALVE ACTUATOR

2 Point & 3 Point Control
10 Nm



BA...10 (S1) HN SERIES

BA series standard valve actuators are especially designed and produced for applications in the HVAC systems. Our wide range of standard valve actuators has been developed to operate and position ball valves of different sizes.

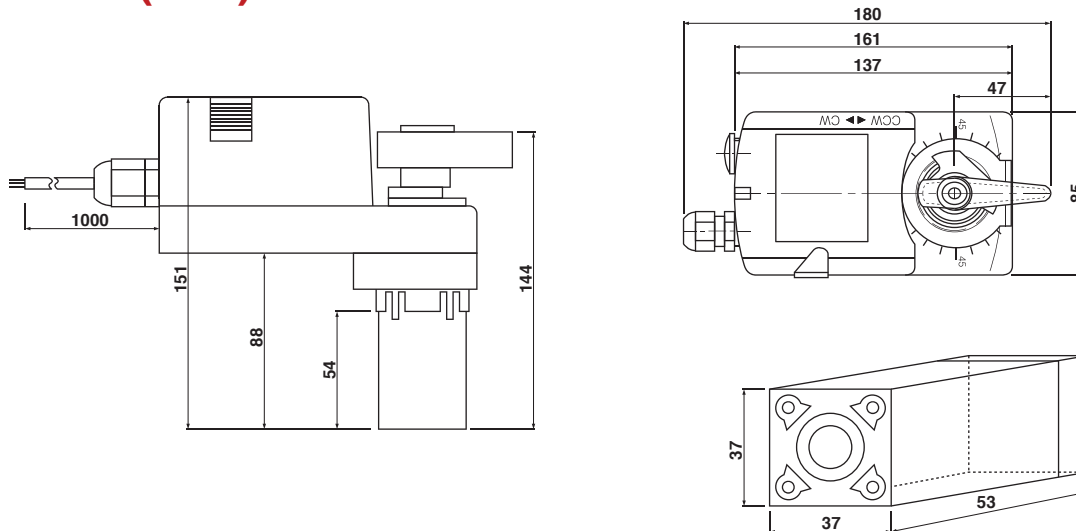
PRODUCT FEATURE

- Torque 10 Nm
- Valve size DN40(1½") / DN50(2")
- Power supply AC/DC 24 V and AC 230 V
- Shaft dimensions - □ 9.0 mm (fixed)
- Selectable direction of rotation of reversing actuator
- Actuator with 1 m cable connection
- Optional 1 Adjustable SPDT auxiliary switches

MODEL SELECTION TABLE

MODEL / TYPE	TORQUE	POWER SUPPLY	RUNNING TIME	AUXILIARY SWITCH
BA 1-10 HN	10 Nm	AC/DC 24 V ± 10%	100...120 sec	-
BA 1-10S1 HN	10 Nm	AC/DC 24 V ± 10%	100...120 sec	1 x SPDT (Adjustable)
BA 2-10 HN	10 Nm	AC 230 V ± 10%	100...120 sec	-
BA 2-10S1 HN	10 Nm	AC 230 V ± 10%	100...120 sec	1 x SPDT (Adjustable)

DIMENSION (mm)



TECHNICAL SPECIFICATION

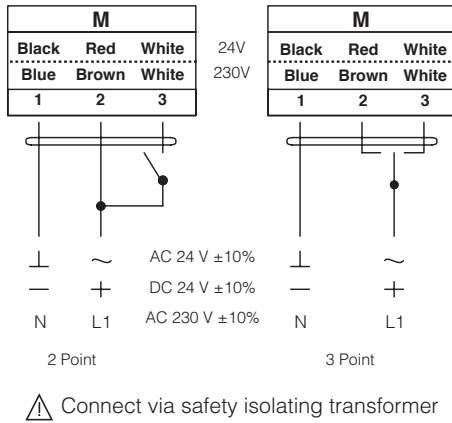
MODEL NUMBER	BA 1-10 (S1) HN	BA 2-10 (S1) HN
TORQUE	10 Nm	10 Nm
VALVE SIZE	DN40(1½") / DN50(2")	DN40(1½") / DN50(2")
SHAFT DIMENSION	□ 9.0 mm (fixed)*	□ 9.0 mm (fixed)*
POWER SUPPLY	AC/DC 24 V ± 10%	AC 230 V ± 10%
FREQUENCY	50...60 Hz	50...60 Hz
CONTROL SIGNAL	2 & 3 point control	2 & 3 point control
POWER CONSUMPTION		
● OPERATING	2.0 W	1.0 W
● END POSITION	3.0 W	1.0 W
FOR WIRE SIZING	6.0 VA	4.0 VA
ELECTRICAL CONNECTION	1 m Cable	1 m Cable
AUXILIARY SWITCH RATING	1 (1.5) A, AC 250 V	1 (1.5) A, AC 250 V
PROTECTION CLASS	Class III ⚡	Class II ⚡
ANGLE OF ROTATION	90° (95° mechanical)	90° (95° mechanical)
WEIGHT	1.0 Kg	1.0 Kg
LIFE CYCLE	60,000 Rotation	60,000 Rotation
SOUND LEVEL	40 dB	40 dB
IP PROTECTION	IP54	IP54
OPERATING TEMPERATURE	-30°...50° as per IEC 721-3-3	-30°...50° as per IEC 721-3-3
NON-OPERATING TEMPERATURE	-30°...+60° C / IEC 721-3-2	-30°...+60° C / IEC 721-3-2
AMBIENT HUMIDITY	5%...95% rH non condensing / EN	5%...95% rH non condensing / EN
MAINTENANCE	Maintenance Free	Maintenance Free
MODE OF OPERATION	Type I / EN 60730-1	Type I / EN 60730-1
EMC	CE & ISO 9000 EN / EEC	CE & ISO 9000 EN / EEC

*Note that shaft dimension has a tolerance offset of ± 0.2mm.

BA SERIES BALL VALVE ACTUATOR

2 Point & 3 Point Control
10 Nm

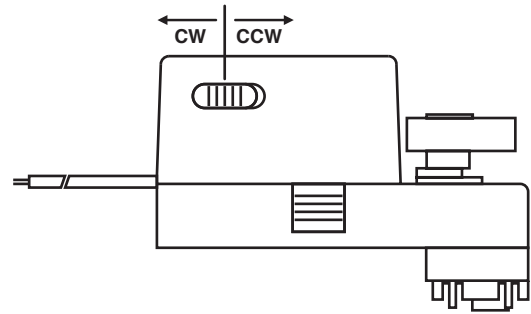
WIRING DIAGRAM BA...10 (S1) HN POWER SUPPLY AC/DC 24V OR AC 230V



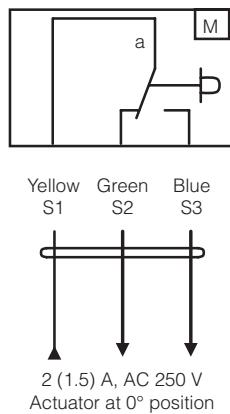
DIRECTION OF ROTATION BA...10 (S1) HN

Default factory setting: CCW.

Direction of rotation can be change by toggling between CW/CCW switch on the actuator's housing.



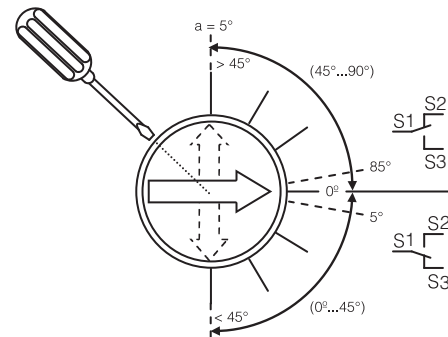
WIRING DIAGRAM BA...10 (S1) HN AUXILIARY SWITCH



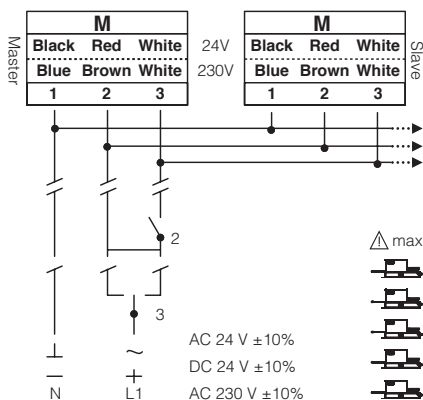
AUXILIARY SWITCH BA...10 (S1) HN

Auxiliary switch (a) factory-set at 5°.

Auxiliary switch (a) can be optimally adjusted between 0°...90°.

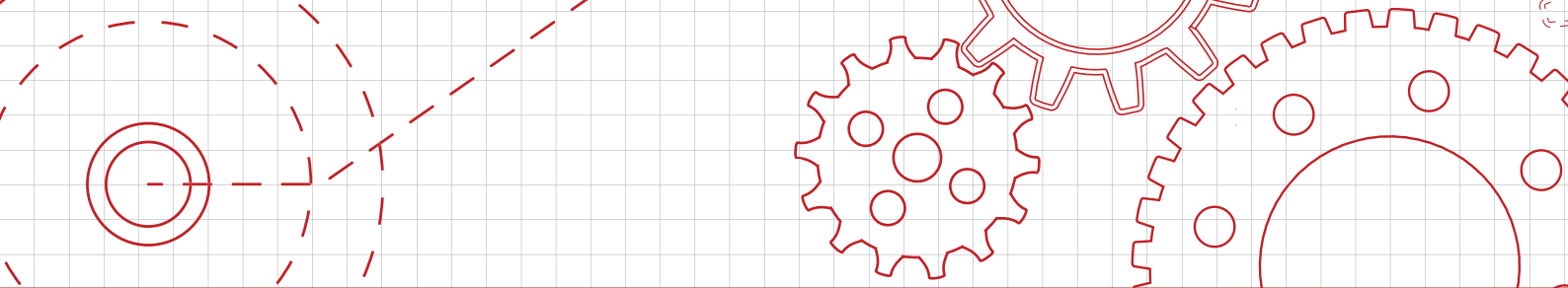


WIRING DIAGRAM BA...10 (S1) HN PARALLEL CONNECTION



REMARK

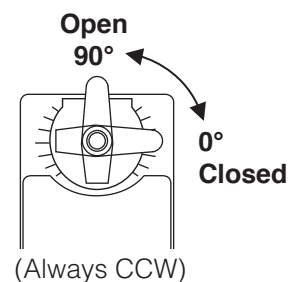
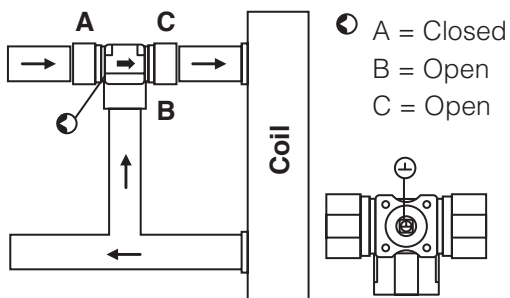
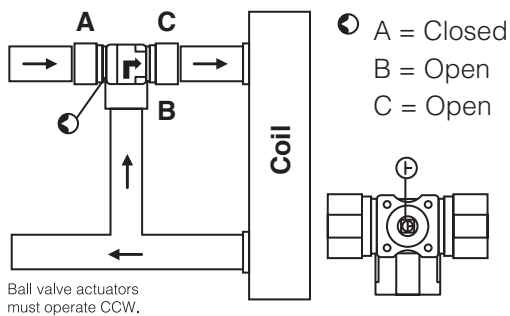
Parallel connection of BA...10 (S1) HN actuators are limited to 5. Power consumption must be observe.



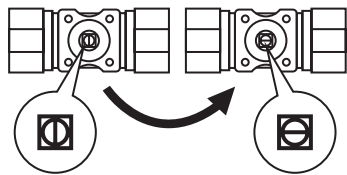
MIXING CLOSED

MIXING OPEN

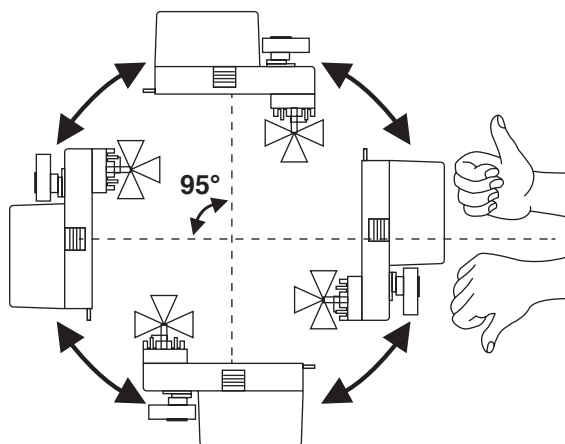
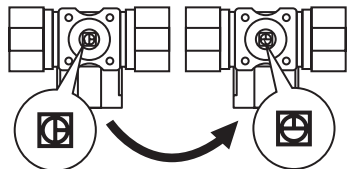
ACTUATOR POSITION



2-way Closed 2-way Open



3-way Closed 3-way Open



IMPORTANT REMARK

For special requirement, consult your local Swisotec's representative.

This actuator includes electrical and electronic components and may not be disposed as household garbage. Please consider the local valid legislation.

AC / DC 24 V: Connect via safety isolating transformer.
 AC 230 V: To isolate from the main power supply, the system must incorporate a device which disconnects the phase conductor (with at least a 3mm contact gap.)

The performance specifications are nominal and conform to acceptable industry standards. Swisotec shall not be liable for damages resulting from misapplication or misuse of its products.